



Fiber Media converter

The non-managed media converters, which give you economic solutions for media conversion between fiber and copper Ethernet. It provides you SC connector for your fiber optic cables and RJ45 for twisted pair UTP cable connection. The maximum extension is up to 120km over fiber.

Features

- * In conformity to IEEE802.3 10base-T, IEEE802.3u 100 base-TX/FX, IEEE802.3ab 1000 base-T, IEEE802.3z, 1000base-SX/LX, IEEE802.1a.
 - * Hot Plug-gable & Wall-Mountable.
 - * Stable performance more than 50 thousand hours with fault-free.
 - * Unique IC solution applied.
 - * Supports 100Mbps full/half duplex, easy upgrades.
 - * Auto MDI/MDI-X.
 - * Auto Negotiation.
 - * Support flow control.
-
- * Stable performance more than 50 thousands hours with fault-free.
 - * In conformity with safety code of FCC, CE and RoHS.

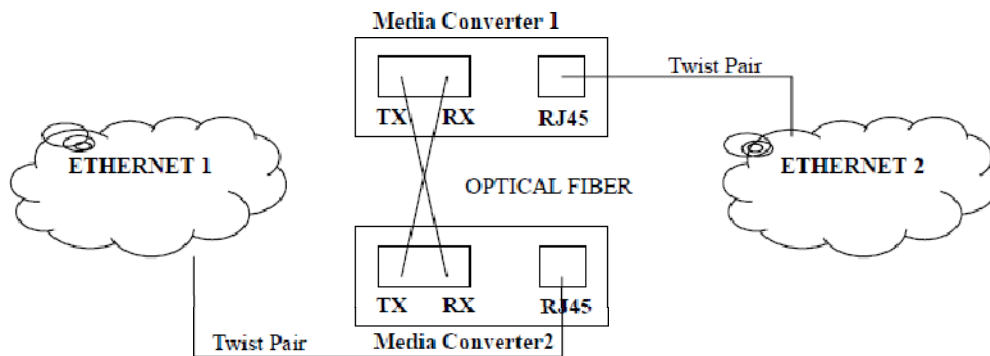
Specifications

Optical Interface	Connector	1x9 SC
	Data Rate	1000Mbps
	Duplex Mode	Full duplex
	Fiber	SM 9/125um
	Distance	10/100/1000Mbps:SM 20km
	Wavelength	SM 1310nm/1550nm
UTP Interface	Connector	RJ45
	Data Rate	10/100/1000Mbps
	Duplex Mode	Half/full duplex
	Cable	Cat5,Cat6
Power Input	Adapter Type	5V to 48V
Power Consumption		<3W
Weight	Adapter Type	0.39kg
	Power Built-in Type	0.67kg
Dimensions	Adapter Type	94*70.5*26.5cm
	Power Built-in Type	140.5*111*30cm

Temperature	0~50°C Operating; -40~70°C Storage
Humidity	5~95%(no condensing)
MTBF	≥10.0000h
Certification	CE,FCC,RoHS

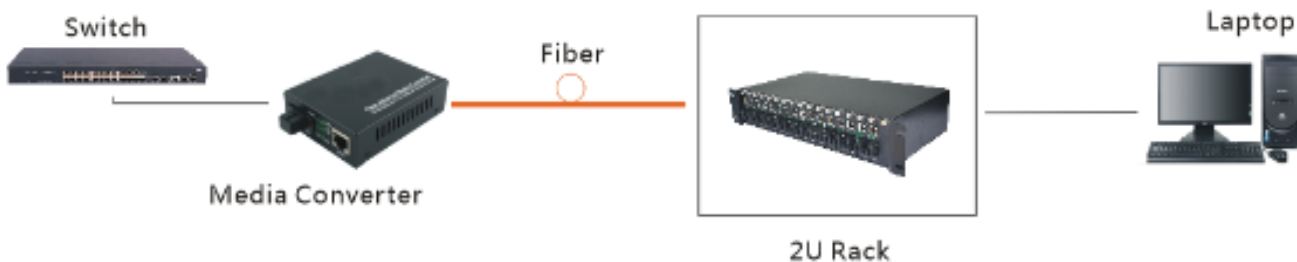
Application

- * Extend your Ethernet connection up to 0~120km away using fiber optics
- * Creates an economical Ethernet-fiber/copper-fiber link for connecting remote sub-networks to larger fiberoptic networks/backbones
- * Converts Ethernet to fiber, fiber to copper/Ethernet, ensuring optimum network scalability for connecting two or more Ethernet network nodes (e.g. connecting two buildings on the same campus)
- * Designed to provide high-speed bandwidth for demanding large scale work groups that require expansion of Gigabit Ethernet Network

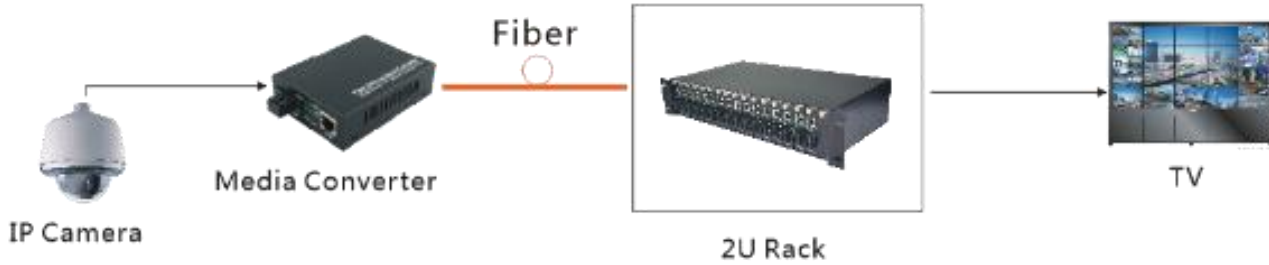


System Design

1. For Networking



2. For CCTV Surveillance Security



Order Information

Part Number	Rate	Optic fiber	Wavelength (nm)	Power (dBm)	Rx sensitivity (dBm)	Reach (KM)	Loss allowed (dBm)
ZTPSFM-GE ZTPDFM-GE	10/100/1000Mbps	SM	1310/1550	-15~-7	-34	20	19

Zekko Tech Private Limited, Turbhe Industrial Park, Unit No. : 122 , Plot No. : C-56/1, TTC Industrial Area
Pawane, Turbhe MIDC, Navi Mumbai - 400 705, Maharashtra, India. Tel No. +91 9136007767